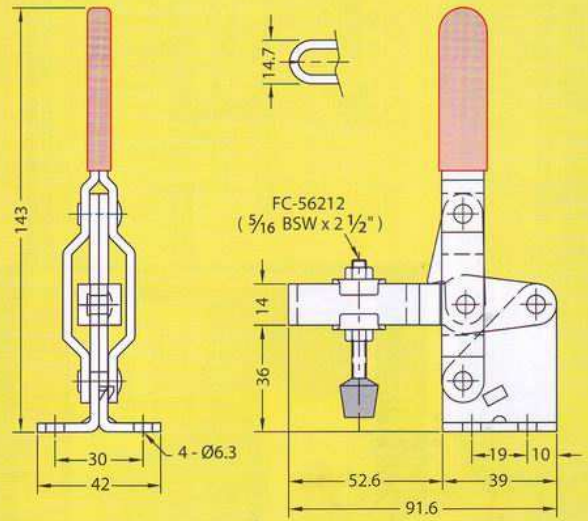
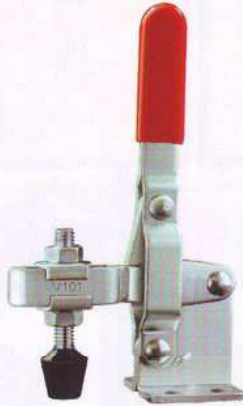


**VERTICAL
HANDLE
• TOGGLE CLAMP •**



JSCLAMP
HIGH QUALITY TOGGLE CLAMP

Model : V101

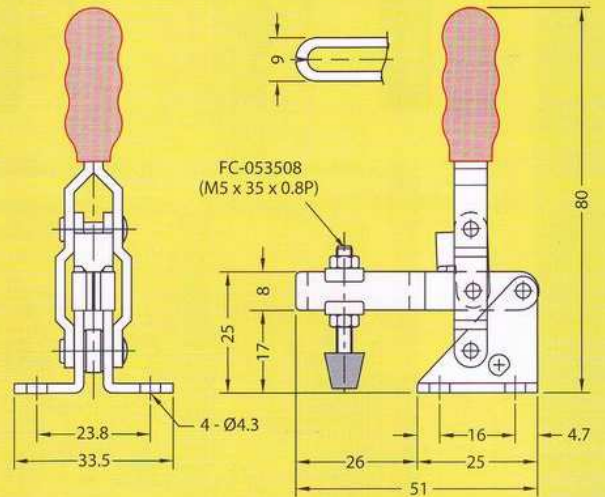
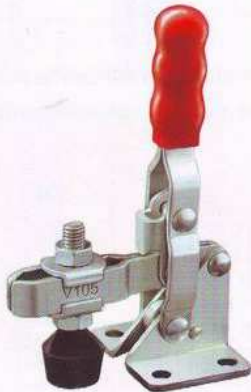


unit : mm

**Holding Capacity : 180kg MAX
Weight : 330g**

**Handle Moves ... 60°
Arm Moves ... 100°**

Model : V105



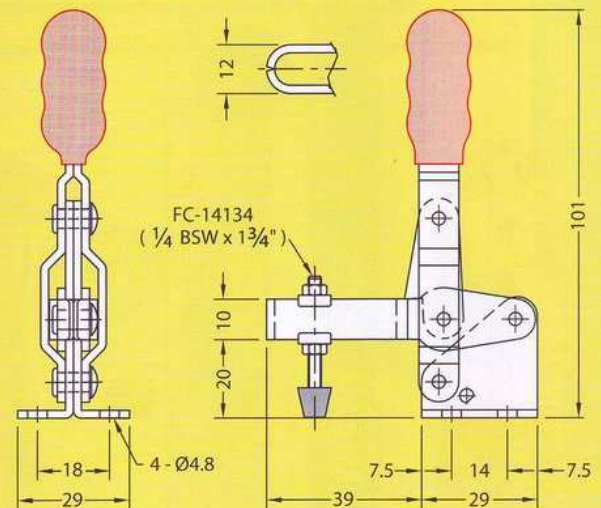
unit : mm

**Holding Capacity : 50kg MAX
Weight : 68g**

**Handle Moves ... 56°
Arm Moves ... 100°**

Model : V108

*Also available in Stainless Steel
Model : V108SS
(Stainless steel models are supplied with stainless steel hex. bolt 1/4 BSW x 1 3/4")



unit : mm

**Holding Capacity : 100kg MAX
Weight : 120g**

**Handle Moves ... 65°
Arm Moves ... 90°**



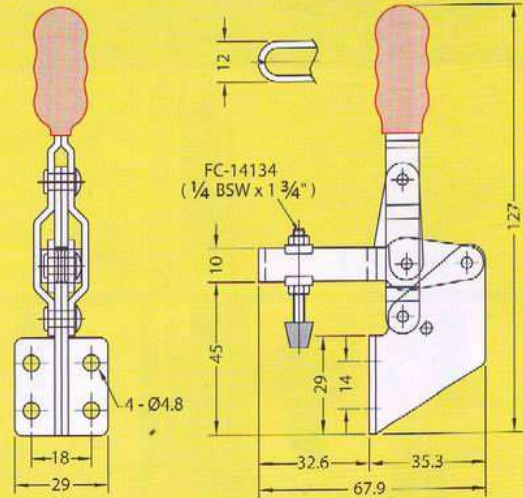
Model : V108F

*Also available in Stainless Steel
Model : V108FSS
 (Stainless steel models are supplied with stainless steel hex. bolt 1/4 BSW x 1 3/4")



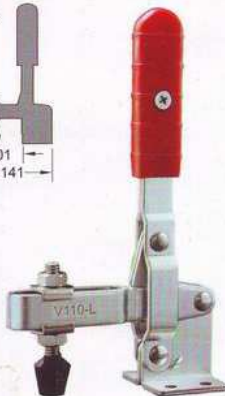
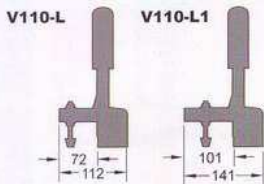
Holding Capacity : 100kg MAX
Weight : 137g

Handle Moves ... 65°
Arm Moves ... 90°



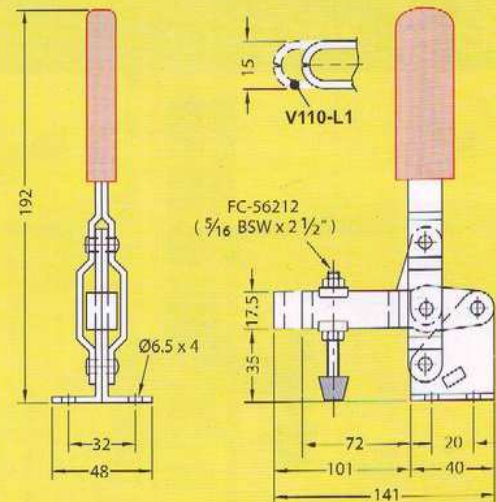
unit : mm

Model : V110-L, V110-L1



Holding Capacity : 200kg MAX
Weight : 450g, 475g

Handle Moves ... 67°
Arm Moves ... 112°



unit : mm

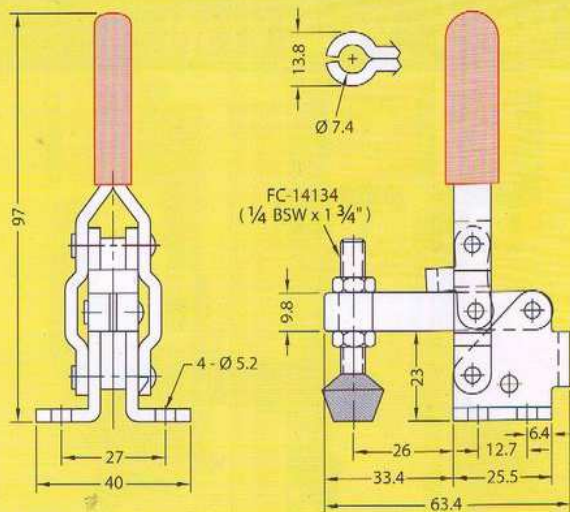
Model : V120R

*Also available in Stainless Steel
Model : V120RSS
 (Stainless steel models are supplied with stainless steel hex. bolt 1/4 BSW x 1 3/4")



Holding Capacity : 91kg MAX
Weight : 158g

Handle Moves ... 60°
Arm Moves ... 100°



unit : mm

**VERTICAL
HANDLE
• TOGGLE CLAMP •**

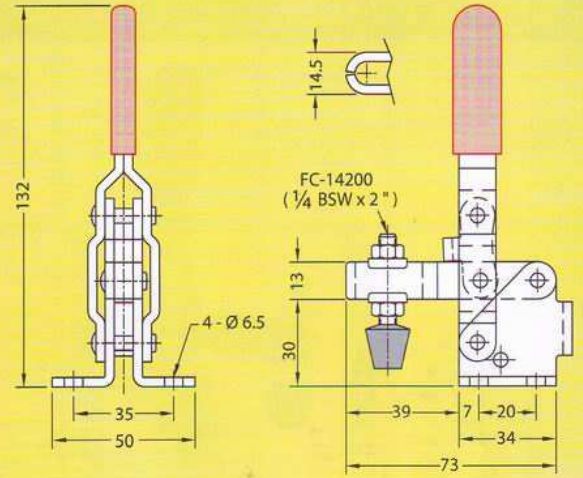


Model : V125



**Holding Capacity : 177kg MAX
Weight : 271g**

**Handle Moves ... 60°
Arm Moves ... 100°**



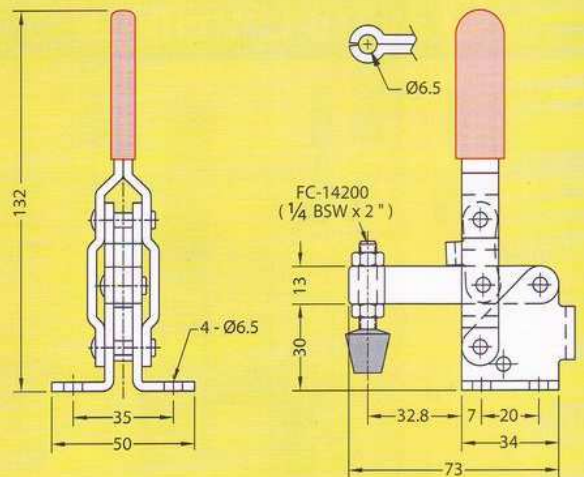
unit : mm

Model : V125R



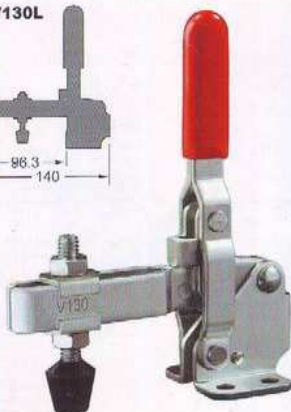
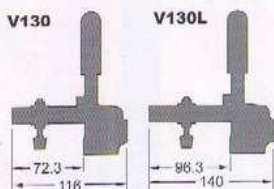
**Holding Capacity : 177kg MAX
Weight : 258g**

**Handle Moves ... 60°
Arm Moves ... 100°**



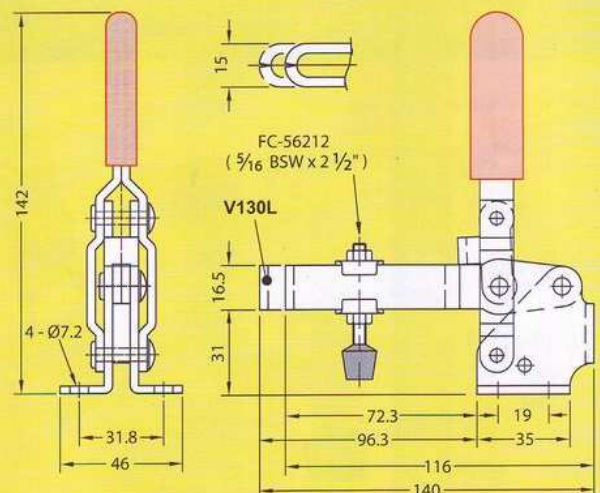
unit : mm

Model : V130, V130L



**Holding Capacity : 227kg MAX
Weight : 356g, 370g**

**Handle Moves ... 60°
Arm Moves ... 100°**



unit : mm



**VERTICAL
HANDLE**
• TOGGLE CLAMP •

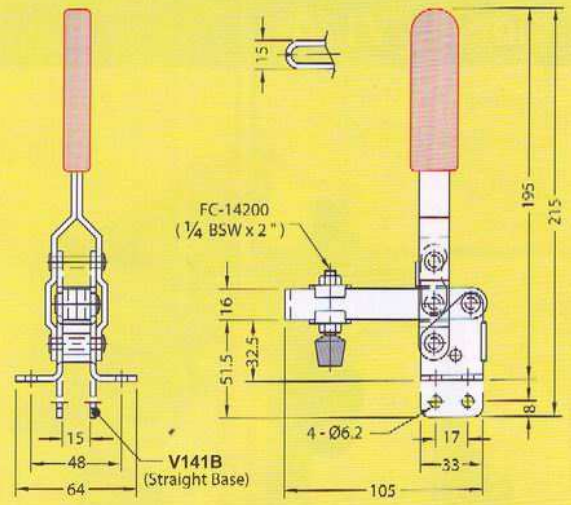
Model : V141, V141B



*Also available in Stainless Steel
Model : V141SS, V141BSS
(Stainless steel models are supplied with stainless steel hex. bolt 1/4 BSW x 1 3/4")

Holding Capacity : 200kg MAX
Weight : 412g, 412g

Handle Moves ... 64°
Arm Moves ... 110°



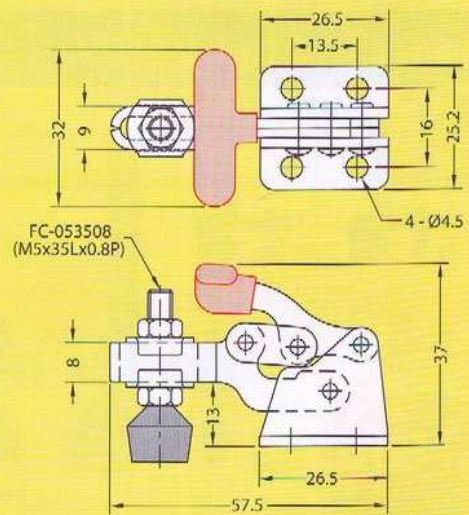
unit : mm

Model : V150



Holding Capacity : 68kg MAX
Weight : 60g

Handle Moves ... 175°
Arm Moves ... 92°



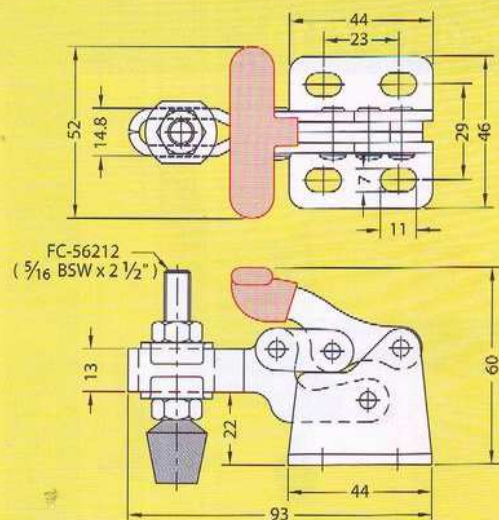
unit : mm

Model : V160



Holding Capacity : 150kg MAX
Weight : 230g

Handle Moves ... 175°
Arm Moves ... 92°

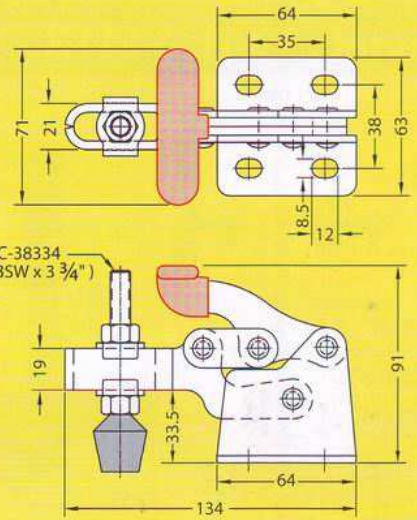


unit : mm

**VERTICAL
HANDLE
• TOGGLE CLAMP •**



Model : V170

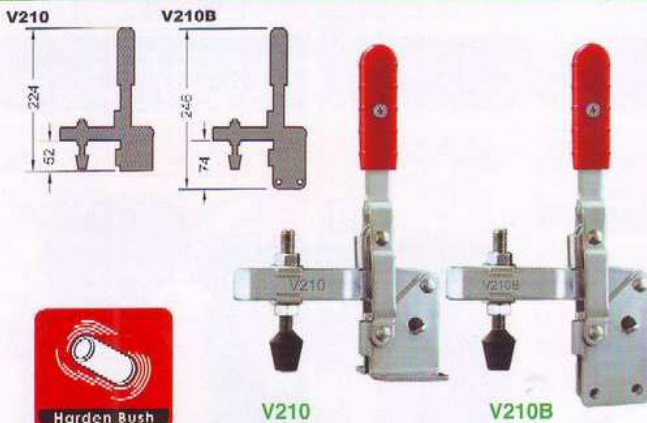


unit : mm

**Holding Capacity : 320kg MAX
Weight : 630g**

**Handle Moves ... 175°
Arm Moves ... 92°**

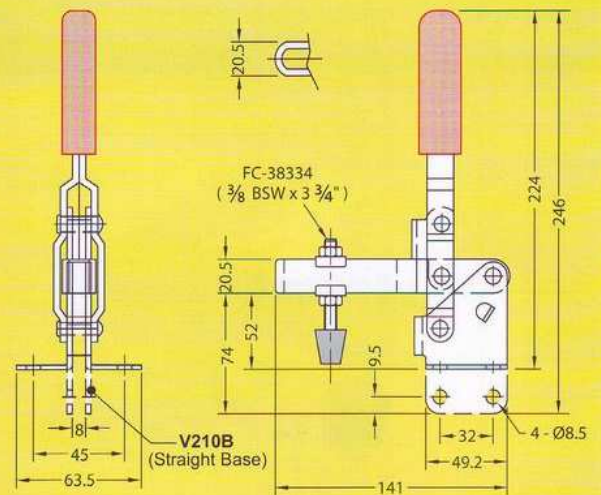
Model : V210, V210B



Harden Bush

V210

V210B

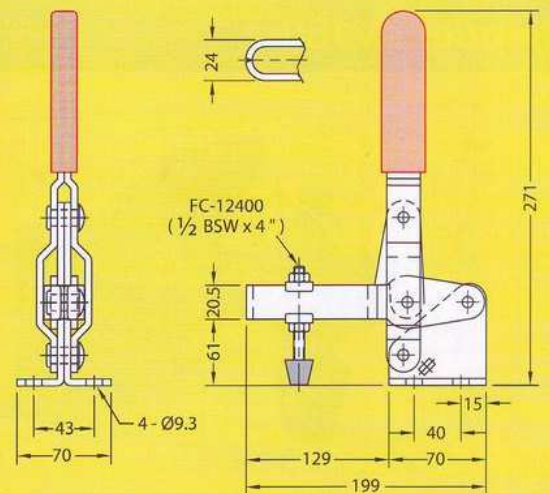


unit : mm

**Holding Capacity : 340kg MAX
Weight : 696g, 696g**

**Handle Moves ... 58°
Arm Moves ... 105°**

Model : V310



unit : mm

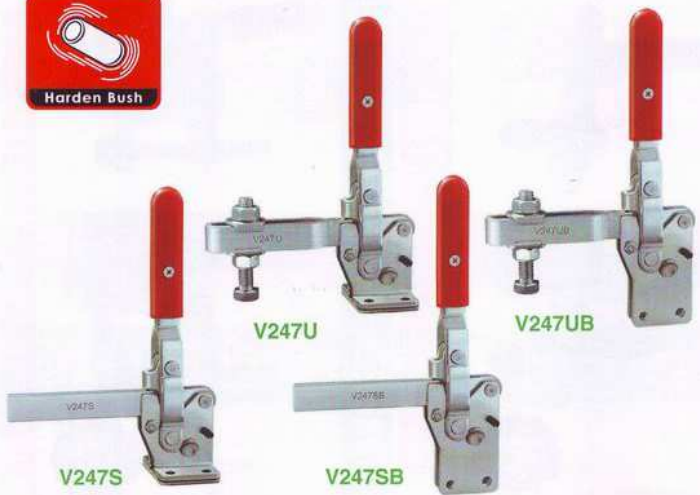
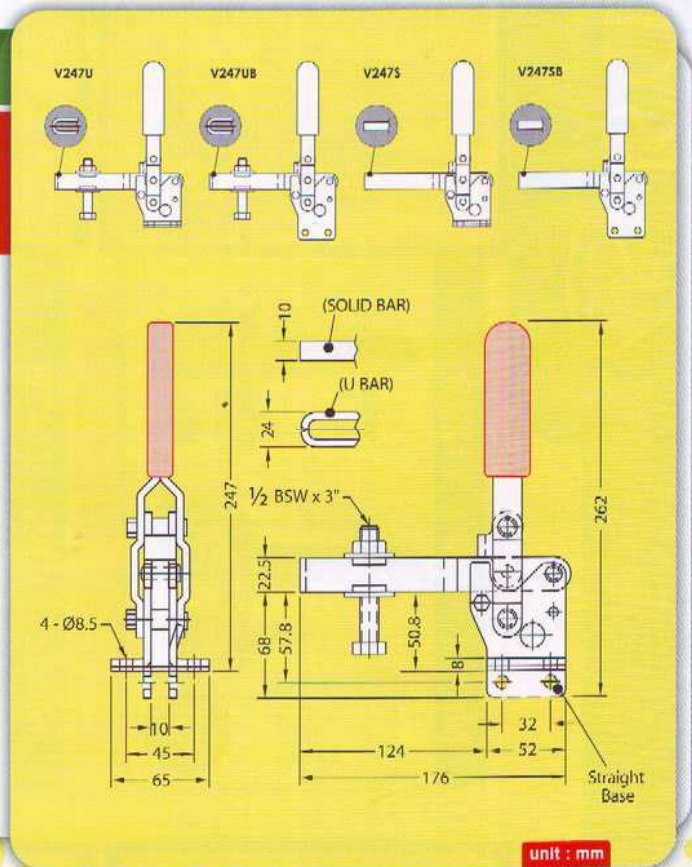
**Holding Capacity : 450kg MAX
Weight : 1294g**

**Handle Moves ... 63°
Arm Moves ... 101°**



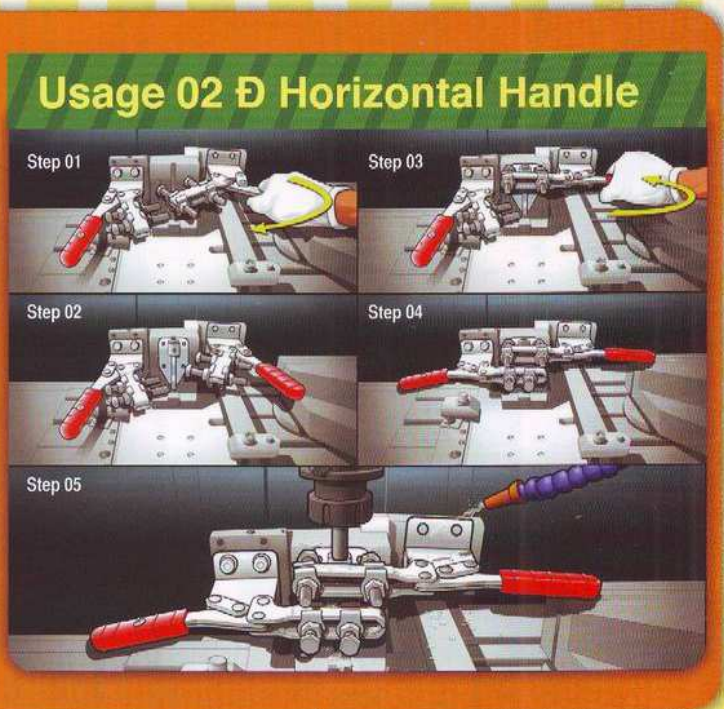
**VERTICAL
HANDLE
• TOGGLE CLAMP •**

| Model | Description | Weight |
|--------|--------------------------|--------|
| V247U | U-Bar, Flanged Base | 1338g |
| V247UB | U-Bar, Straight Base | 1260g |
| V247S | Solid Bar, Flanged Base | 1146g |
| V247SB | Solid Bar, Straight Base | 1104g |



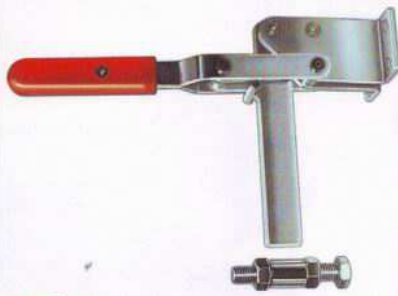
Holding Capacity : 450kg MAX

**Handle Moves ... 58°
Arm Moves ... 100°**



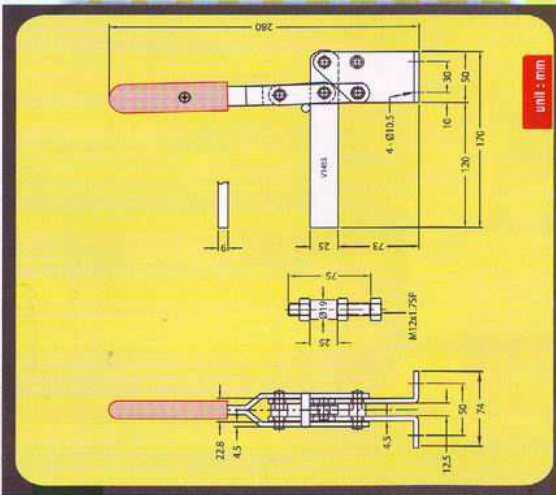
VERTICAL HANDLE TOGGLE CLAMP

Model : V145S

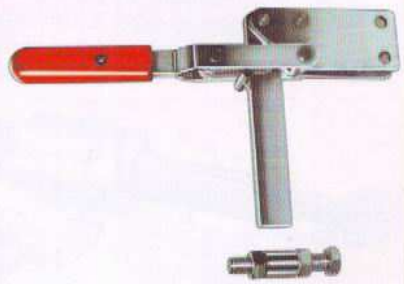


2010 NEW PRODUCT

Holding Capacity: 400kg MAX
Weight : 1235g
Handle Moves ... 93°
Arm Moves ... 170°

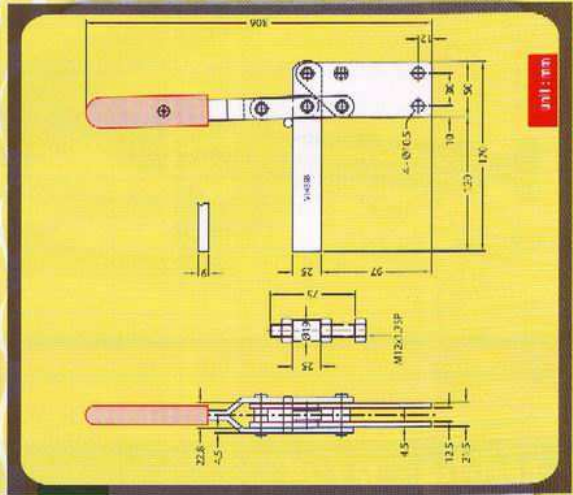


Model : V145SB

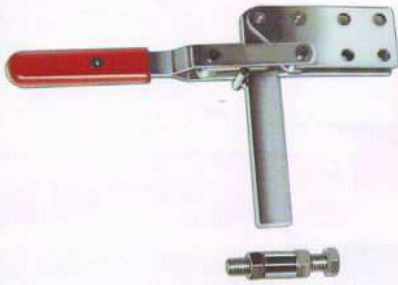


2010 NEW PRODUCT

Holding Capacity: 400kg MAX
Weight : 1235g
Handle Moves ... 93°
Arm Moves ... 170°

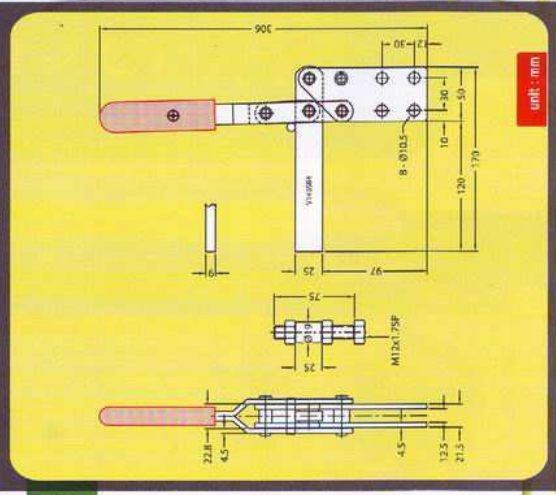


Model : V145SB4

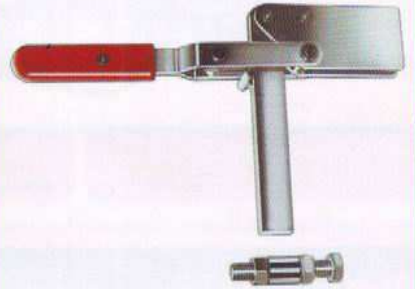


2010 NEW PRODUCT

Holding Capacity: 400kg MAX
Weight : 1213 g
Handle Moves ... 93°
Arm Moves ... 170°



Model : V145SBN



2010 NEW PRODUCT

Holding Capacity: 500kg MAX
Weight : 1247g
Handle Moves ... 93°
Arm Moves ... 170°

